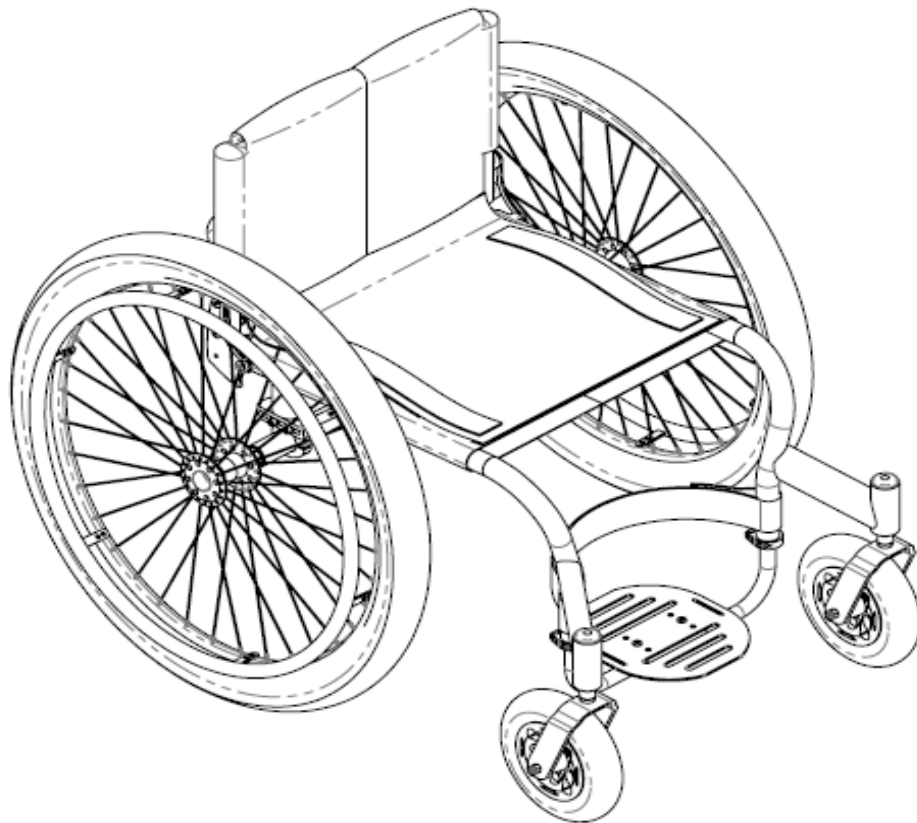




Sports and Recreation Products  
4501 63rd Circle North  
Pinellas Park, FL 33781  
(800) 532-8677 (727) 522-8677  
Fax: (727)522-1007

# Invacare Top End Parts Catalog Crossfire All Terrain



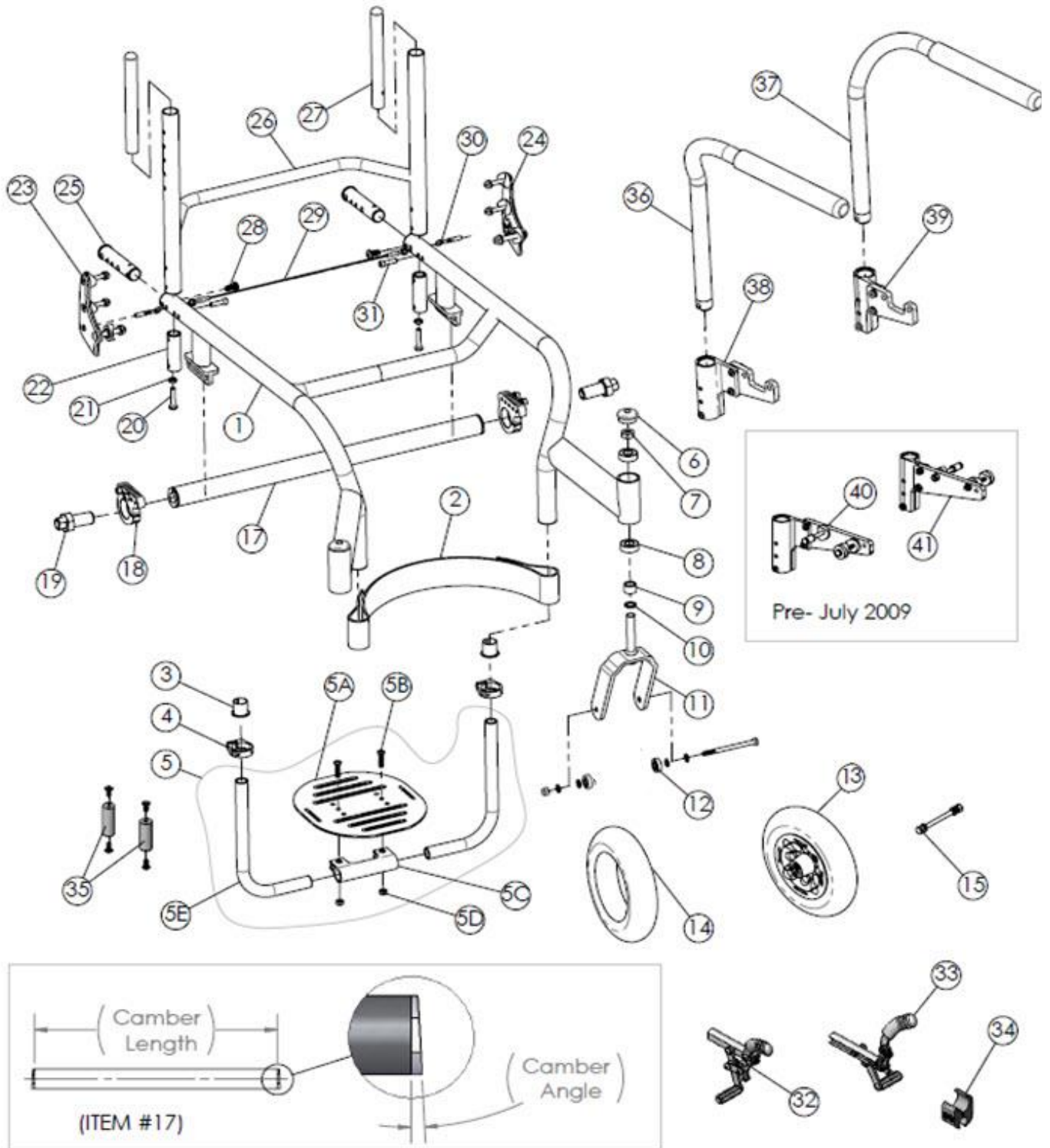


Sports and Recreation Products  
 4501 63rd Circle North  
 Pinellas Park, FL 33781  
 (800) 532-8677 (727) 522-8677  
 Fax: (727)522-1007

# Parts Order Diagram

## All Terrain

### Frames / Standard Parts





Invacare Top End Sports and Recreation Products

(800) 532-8677 (727) 522-8677 fax: (727) 522-1007

Parts Order Diagram:

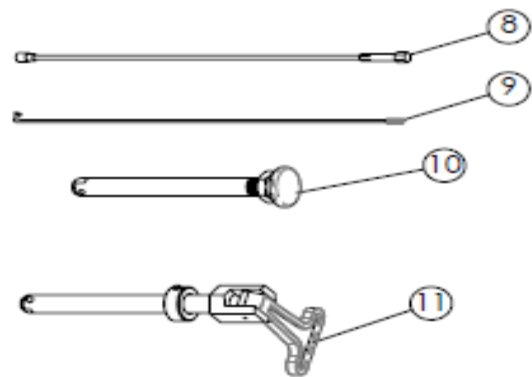
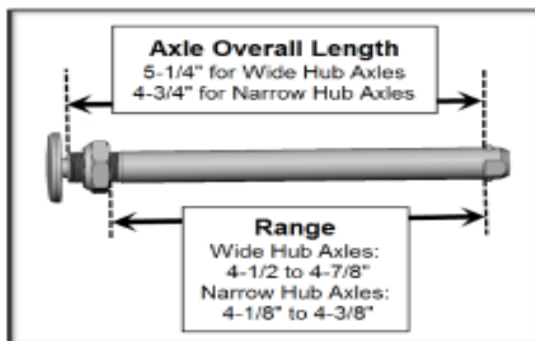
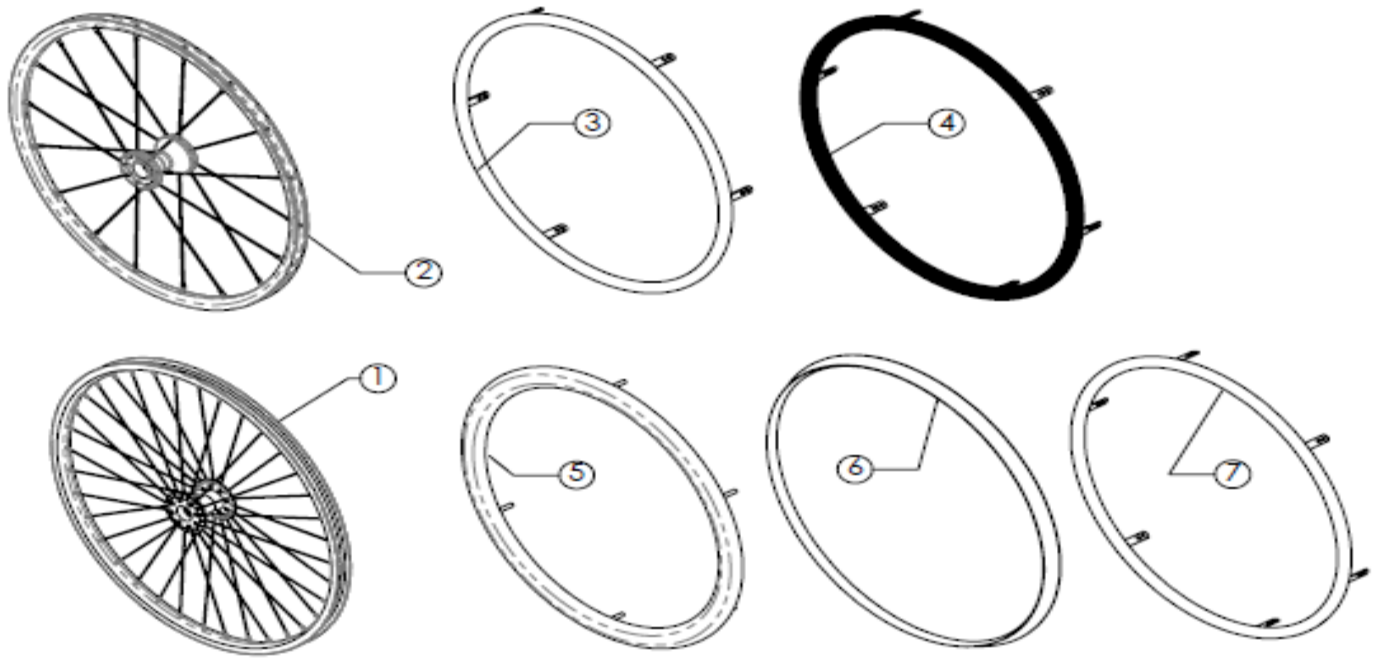
**Crossfire All Terrain: Frame Assembly**

|          |          |           |
|----------|----------|-----------|
| Date:    | PO#:     | SO#:      |
| Bill To: | Ship To: |           |
| Quote #: | Phone:   | Serial #: |

| ITEM | PART NUMBER | PER CHAIR | DESCRIPTION  | QTY |    |
|------|-------------|-----------|--|-----|----|
| 1    | 1166501     | 1         | Frame, CrossFire All Terrain for a folding back (back not included - specifications required) Orig. Serial #   |     | EA |
|      | 1166502     | 1         | Frame, CrossFire All Terrain for fixed back (specifications required) Orig. Serial #   |     | EA |
| 2    | 1054268     | 1         | Leg / Calf Strap, for Footrest Widths: <input type="checkbox"/> 8-10" (36") <input type="checkbox"/> 10.5-13" (41") <input type="checkbox"/> 13.5+ (46")                           |     | EA |
| 3    | 1140378     | 2         | Footrest Receiver  |     | EA |
| 4    | 1139750     | 2         | Footrest Clamp Assembly (each)   |     | EA |
| 5    | 1059482     | 1         | Adj. Angle Footrest Assembly, Plate width: Footrest width:   |     | EA |
| 5A   | 1142938     | 1         | Oval, Footplate only (7-1/2" wide)   |     | EA |
| 5B   | 1009837     | 2         | Screw, 1/4-20 x 1" BHCS  |     | EA |
| 5C   | 1166173     | 1         | Clamp, Footrest (T7A style)  |     | EA |
| 5D   | 1025736     | 2         | Locknut, 1/4-20 Nylock Thick SS  |     | EA |
| 5E   | NA          | 2         | Adjustable Footplate Tube  |     | EA |
| 6    | 1088523     | 2         | cap, Headtube  |     | EA |
| 7    | 1025737     | 2         | 1/2-20 Locknut   |     | EA |
| 8    | 1127954     | 4         | Bearing, insert fork (1/2" ID x 1-1/8" OD) (Inside Frame) 3/8" Thick   |     | EA |
| 9    | 1054032     | 2         | 3/4" Diameter Spacer X 1/2" Long   |     | EA |
| 10   | 1026174     | 2         | Washer, 1/2 I.D.   |     | EA |
| 11   | 1156694     | 2         | 8" front fork to CrossFire All Terrain   |     | EA |
| 12   | 1054029     | 4         | (5/16" ID x 7/8" OD) Caster Bearing  |     | EA |
| 13   | 1180878     | 2         | Caster Assembly: 8" x 2" Flat Free   |     | EA |
| 14   | 1156690     | 2         | 8" x 2" front tire to CrossFire All Terrain  |     | EA |
|      | 1156691     | 2         | Tube to 8" x 2" front tire to CrossFire All Terrain  |     | EA |
| 15   | 1139775     | 2         | Front Caster Mounting Hardware Kit   |     | EA |
| 17   | 1127959     | 1         | Camber Tube Assembly Seat Width: Camber: Wheel Size:   |     | EA |
| 18   | 1145893     | 2         | Camber Tube Clamp Assembly (each)  |     | EA |
| 19   | 1061173     | 2         | Axle Receiver, Nut, and Lock Washer Assembly (each)  |     | EA |
| 20   | 1159755     | 2         | Screw, 1/4-28 x 1.25" HX HD Cap  |     | EA |
| 21   | 1134340     | 2         | Nut, 1/4-28 HX Jam   |     | EA |
| 22   | 1134277     | 2         | Insert, Cane Rear  |     | EA |
| 23   | 1181808     | 1         | Latch Assembly, Lock-Down Folding Back RH  |     | EA |
| 24   | 1181809     | 1         | Latch Assembly, Lock-Down Folding Back LH  |     | EA |
| 25   | 1156759     | 2         | Folding back insert, 1-1/8 x .125 tubing   |     | EA |
| 26   | 1153112     | 1         | Back frame, lock-down folding back (specify seat width and height)   |     | EA |
| 27   | 1026971     | 1         | Adj. Height Extensions (Pair), Folding Back with 8-11" Back Height   |     | PR |
|      | 1026972     | 1         | Adj. Height Extensions (Pair), Folding Back with: <input type="checkbox"/> 10"-14" <input type="checkbox"/> 12-16" <input type="checkbox"/> 14-18" <input type="checkbox"/> 16-20" |     | PR |
| 28   | 1071955     | 2         | Screw, 5/16-18 x .75 Soc But HD Cap  |     | EA |
| 29   | 1153135     | 1         | Lanyard, Lock-Down Back, Seat Width:   |     | EA |
| 30   | 1153136     | 2         | Spring Pin Assembly, Lock-Down Back, includes: (1)Pin, (1)Spring, and (1)Ring  |     | EA |
| 31   | 1157254     | 2         | Screw, 1/4-28 x .88 Soc HD Cap   |     | EA |
| 32   | 1125459     | 1         | Wheel Lock, Right: <input type="checkbox"/> Push-To-Lock <input type="checkbox"/> Pull-To-Lock   |     | EA |
| 33   | 1125460     | 1         | Wheel Lock, Left: <input type="checkbox"/> Push-To-Lock <input type="checkbox"/> Pull-To-Lock  |     | EA |
| 34   | 1139738     | 2         | Wheel Lock Clamp, 1-1/8" CrossFire All-Terrain   |     | EA |
| 35   | 1116577     | 1         | Adaptive Footplate Spacer Kit (Includes 2 spacers & screws) <input type="checkbox"/> 2" <input type="checkbox"/> 4"  |     | PR |
| 36   | 1145917     | 1         | Swingaway Arm, RH (tubular style)  |     | EA |
| 37   | 1145918     | 1         | Swingaway Arm, LH (tubular style)  |     | EA |
| 38   | 1181813     | 1         | Swingaway Mounting Bracket Assembly Folding, RH  |     | EA |
| 39   | 1181812     | 1         | Swingaway Mounting Bracket Assembly Folding, LH  |     | EA |
| 40   | 1195124     | 1         | Swingaway Arm Mounting Hardware, RH  |     | EA |
| 41   | 1195125     | 1         | Swingaway Arm Mounting Hardware, LH  |     | EA |
|      | TES1        |           |  |     | EA |



Sports and Recreation Products  
 4501 63rd Circle North  
 Pinellas Park, FL 33781  
 (800) 532-8677 (727) 522-8677  
 Fax: (727)522-1007





Invacare Top End Sports and Recreation Products

(800) 532-8677 (727) 522-8677 fax: (727) 522-1007


Parts Order Diagram:

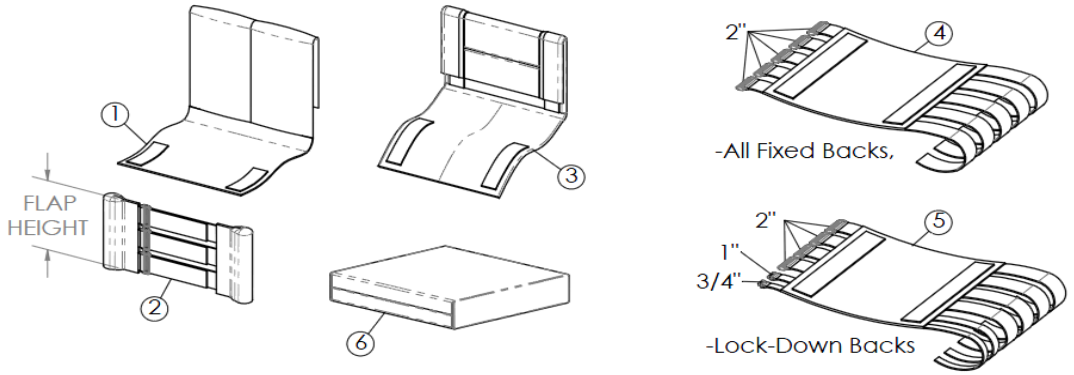
**Crossfire All Terrain: Wheel Assembly**

|          |  |        |          |           |  |
|----------|--|--------|----------|-----------|--|
| Date:    |  | PO#:   |          | SO#:      |  |
| Bill To: |  |        | Ship To: |           |  |
| Quote #: |  | Phone: |          | Serial #: |  |

|                    | ITEM NO. | PART NUMBER | PER CHAIR   | DESCRIPTION  | QTY |    |
|--------------------|----------|-------------|---|--|-----|----|
| <b>WHEELS</b>      | 1        | 1054054     | 2   | 24" (540) Performance Rear Wheel: Radial   |     | EA |
|                    | 2        | 1060844     | 2   | 24" (540) Spinergy Narrow Hub SPOX<br><input type="checkbox"/> Yellow <input type="checkbox"/> Black <input type="checkbox"/> White <input type="checkbox"/> Red <input type="checkbox"/> Blue   |     | EA |
|                    |          | 1054055     | 2   | 25" (559) Performance Rear Wheel: Radial   |     | EA |
|                    |          | 1060822     | 2   | 25" (559) Spinergy Narrow Hub SPOX<br><input type="checkbox"/> Yellow <input type="checkbox"/> Black <input type="checkbox"/> White <input type="checkbox"/> Red <input type="checkbox"/> Blue   |     | EA |
| <b>HANDRIMS</b>    | 3        | 1054083     | 2   | 24" Anodized Handrim   |     | EA |
|                    | 4        | 1035612     | 2   | 24" Coated Handrim - Black   |     | EA |
|                    | 5        | 1127872     | 2   | 24" Natural Fit Standard Grip Handrim  |     | EA |
|                    | 6        | 1127873     | 2   | 24" Natural Fit Super Grip Handrim   |     | EA |
|                    | 7        | 1060873     | 2   | 24" Titanium Handrim   |     | EA |
|                    |          | 1054085     | 2   | 25" Anodized Handrim   |     | EA |
|                    |          | 1043249     | 2   | 25" Coated Handrim - Black   |     | EA |
|                    |          | 1127874     | 2   | 25" Natural Fit Standard Grip Handrim  |     | EA |
|                    |          | 1127875     | 2   | 25" Natural Fit Super Grip Handrim   |     | EA |
|                    |          | 1060874     | 2   | 25" Titanium Handrim   |     | EA |
|                    | 1145898  | 2           | Handrim Hardware Kit (6) 10-32 x 1/2" Screws, (6) 10-32 Locknuts                    |  | EA  |    |
| <b>TIRES/TUBES</b> |          | 1143318     | 2   | 24" Knobby Tire (USE FOR 25-540 WHEEL) 24x2" (Grey)  |     | EA |
|                    |          | 1063519     | 2   | 24" (540) Tube (24 x 1-1/2") (USE FOR 25-540 WHEEL)  |     | EA |
|                    |          | 1156692     | 2   | 25" knobby tire for CrossFire All Terrain 25x2.5" (Black) (Use for 559)  |     | EA |
|                    |          | 1156693     | 2   | Tube to 25" knobby tire for CrossFire All Terrain  |     | EA |
| <b>OTHER</b>       | 8        | 1060803     | NA  | Spinergy Spox Spoke (3mm)<br>Wheel Size: <input type="checkbox"/> 24" <input type="checkbox"/> 25"<br><input type="checkbox"/> Yellow <input type="checkbox"/> Black <input type="checkbox"/> Red<br><input type="checkbox"/> White <input type="checkbox"/> Blue<br>Hub <input type="checkbox"/> Wide <input type="checkbox"/> Narrow   |     | EA |
|                    |          | 1156712     | NA  | Spinergy LX/SLX Spoke (4mm)<br>Wheel Size: <input type="checkbox"/> 24" <input type="checkbox"/> 25"<br><input type="checkbox"/> Yellow <input type="checkbox"/> Black <input type="checkbox"/> Red<br><input type="checkbox"/> White <input type="checkbox"/> Blue<br>Hub <input type="checkbox"/> Wide <input type="checkbox"/> Narrow |     | EA |
|                    | 9        | 1059514     | na  | Metal Spoke with nipple<br>Wheel Size: <input type="checkbox"/> 24" <input type="checkbox"/> 25" <input type="checkbox"/> Radial   |     | EA |
|                    | 10       | 1065303     | 2   | Axle, Quick Release, Standard for Narrow Hub, length and range   |     | EA |
|                    | 11       | 1043487     | 2   | Axle, Quad Release 1/2" (not for wide hub)   |     | EA |
|                    |          | 1060842     | 2   | Axle, Quick Release, Titanium for Narrow Hub, length and range see   |     | EA |
|                    |          | Ter40       | na  | Cut Tabs on Aluminum   |     | EA |
|                    |          | TerTi40     | na  | Cut Tabs on Titanium   |     | EA |
|                    |          | 1109717     | na  | Alignment Gauge  |     | EA |
|                    |          | 1061213     | 2   | Rim Strip: <input type="checkbox"/> 24" <input type="checkbox"/> 25"   |     | EA |
|                    |          | 1054030     | 4   | Bearing, 1/2" [1-1/8"x1/2"x5/16"] (Rear Wheels)  |     | EA |
|                    |          | TER40       | 2   | Cut Tabs Aluminum pushrim  |     | EA |
|                    |          | TERTi40     | 2   | Cut Tabs Titanium pushrim  |     | EA |
|                    | NA       | 1           | Wheel Assembly: <input type="checkbox"/> Yes <input type="checkbox"/> No            |  | EA  |    |
|                    | NA       | 1           | Handrim Assembly: <input type="checkbox"/> STD Mount <input type="checkbox"/> Close |  | EA  |    |



|  |   |         |  |           |
|--|---|---------|--|-----------|
|  | Invacare Top End Sports and Recreation Products   |         | Parts Order Diagram:                     |           |
|  | (800) 532-8677 (727) 522-8677 fax: (727) 522-1007 |         | <b>Crossfire All Terrain: Upholstery</b> |           |
| Date:  | PO#:  |         |  | SO#:      |
| Bill To:   |   | Ship To |  |           |
| Quote #:   | Phone:  |         |  | Serial #: |



| ITEM NO.                       | PART NUMBER | PER CHAIR                              | DESCRIPTION  | ORDER QTY  |                                  |                          |    |
|--------------------------------|-------------|--|--|--|----------------------------------|--------------------------|----|
| 1                              | 1127960     | 1                                      | Std. Back Center   | Back Height: <input type="text"/>                    | Seat Width: <input type="text"/> | EA                       |    |
|                                | 1153140     | 1                                      | Mesh. Back Center  | Back Height: <input type="text"/>                    | Seat Width: <input type="text"/> | EA                       |    |
|                                | 1153141     | 1                                      | Camo. Back Center  | Back Height: <input type="text"/>                    | Seat Width: <input type="text"/> | EA                       |    |
| 2                              | 1181597     |  | Adj. Tension Back Anc & Adj 3.0" Flap  | Typically used for low back heights with side guards | Seat Width: <input type="text"/> | EA                       |    |
|                                | 1181598     | 1                                      | Adj. Tension Back Anc & Adj 4.0" Flap  | Typically used for low back heights with side guards | Seat Width: <input type="text"/> | EA                       |    |
|                                | 1181599     | 1                                      | Adj. Tension Back Anc & Adj 5.0" Flap  | (BH: 8" Fixed)                                       | Seat Width: <input type="text"/> | EA                       |    |
|                                |             |  |  | (BH: 8.5" Fixed)                                     |                                  |                          |    |
|                                |             |  |  | (BH: 9" Fixed)                                       |                                  |                          |    |
|                                |             |  |  | (BH: 9.5" Fixed)                                     |                                  |                          |    |
|                                | 1181600     | 1                                      | Adj. Tension Back Anc & Adj 6.0" Flap  | Typically used for low back heights with side guards | Seat Width: <input type="text"/> | EA                       |    |
|                                | 1181807     | 1                                      | Adj. Tension Back Anc & Adj 7.0" Flap  | (BH: 10" Fixed & 10-14" Adj)                         | Seat Width: <input type="text"/> | EA                       |    |
| (BH: 10.5" Fixed & 10-14" Adj) |             |  |  |  |                                  |                          |    |
| (BH: 11" Fixed & 10-14" Adj)   |             |  |  |  |                                  |                          |    |
| (BH: 11.5" Fixed & 10-14" Adj) |             |  |  |  |                                  |                          |    |
| 1181601                        | 1           | Adj. Tension Back Anc & Adj 8.0" Flap  | (BH: 12" Fixed)  | Seat Width: <input type="text"/>                     | EA                               |                          |    |
|                                |             |  | (BH: 12.5" Fixed)  |  |                                  |                          |    |
|                                |             |  | (BH: 13" Fixed)  |  |                                  |                          |    |
|                                |             |  | (BH: 13.5" Fixed)  |  |                                  |                          |    |
| 1181603                        | 1           | Adj. Tension Back Anc & Adj 10.0" Flap | (BH: 14" Fixed & 14-18" Adj)   | Seat Width: <input type="text"/>                     | EA                               |                          |    |
|                                |             |  | (BH: 14.5" Fixed & 14-18" Adj)   |  |                                  |                          |    |
|                                |             |  | (BH: 15" Fixed & 14-18" Adj)   |  |                                  |                          |    |
|                                |             |  | (BH: 15.5" Fixed & 14-18" Adj)   |  |                                  |                          |    |
| 1181605                        | 1           | Adj. Tension Back Anc & Adj 12.0" Flap | (BH: 16" Fixed & 16-20" Adj)   | Seat Width: <input type="text"/>                     | EA                               |                          |    |
|                                |             |  | (BH: Larger Than 16" Fixed & 16-20" Adj)   |  |                                  |                          |    |
|                                | 1153138     | 1                                      | Mesh Back, Anchor & Adjuster Asm   | SW: <input type="text"/>                             | BH: <input type="text"/>         | FH: <input type="text"/> | EA |
|                                | 1153139     | 1                                      | Camo Back, Anchor & Adjuster Asm<br><input type="checkbox"/> Digital <input type="checkbox"/> Woodland | SW: <input type="text"/>                             | BH: <input type="text"/>         | FH: <input type="text"/> | EA |
| 3                              | 1065286     | 1                                      | Fold Over Back Upholstery  | SW: <input type="text"/>                             | BH: <input type="text"/>         | XXXXX                    | EA |

| ITEM NO. | PART NUMBER | PER CHAIR | DESCRIPTION  | SEAT WIDTH               | COLOR   | SEAT DEPTH               | ORDER QTY |    |
|----------|-------------|-----------|--|--------------------------|---|--------------------------|-----------|----|
| 4        | 1127963     | 1         | Seat Upholstery, Adj. Tension, Use on: All Fixed Backs, Folding Backs Pre- July 2009             | SW: <input type="text"/> |   | SD: <input type="text"/> |           | EA |
| 5        | 1153134     | 1         | Seat Upholstery, Adj. Tension, Use on: All Lock-Down Backs                                       | SW: <input type="text"/> |   | SD: <input type="text"/> |           | EA |
| 6        | 1054272     | 1         | Soft Cushion <input type="checkbox"/> 2" <input type="checkbox"/> 3" <input type="checkbox"/> 4" | SW: <input type="text"/> | <input type="checkbox"/> Black                                      | SD: <input type="text"/> |           | EA |
|          | 1060130     | 1         | Hard Cushion <input type="checkbox"/> 2" <input type="checkbox"/> 3" <input type="checkbox"/> 4" | SW: <input type="text"/> | <input type="checkbox"/> Digital<br><input type="checkbox"/> Desert | SD: <input type="text"/> |           | EA |



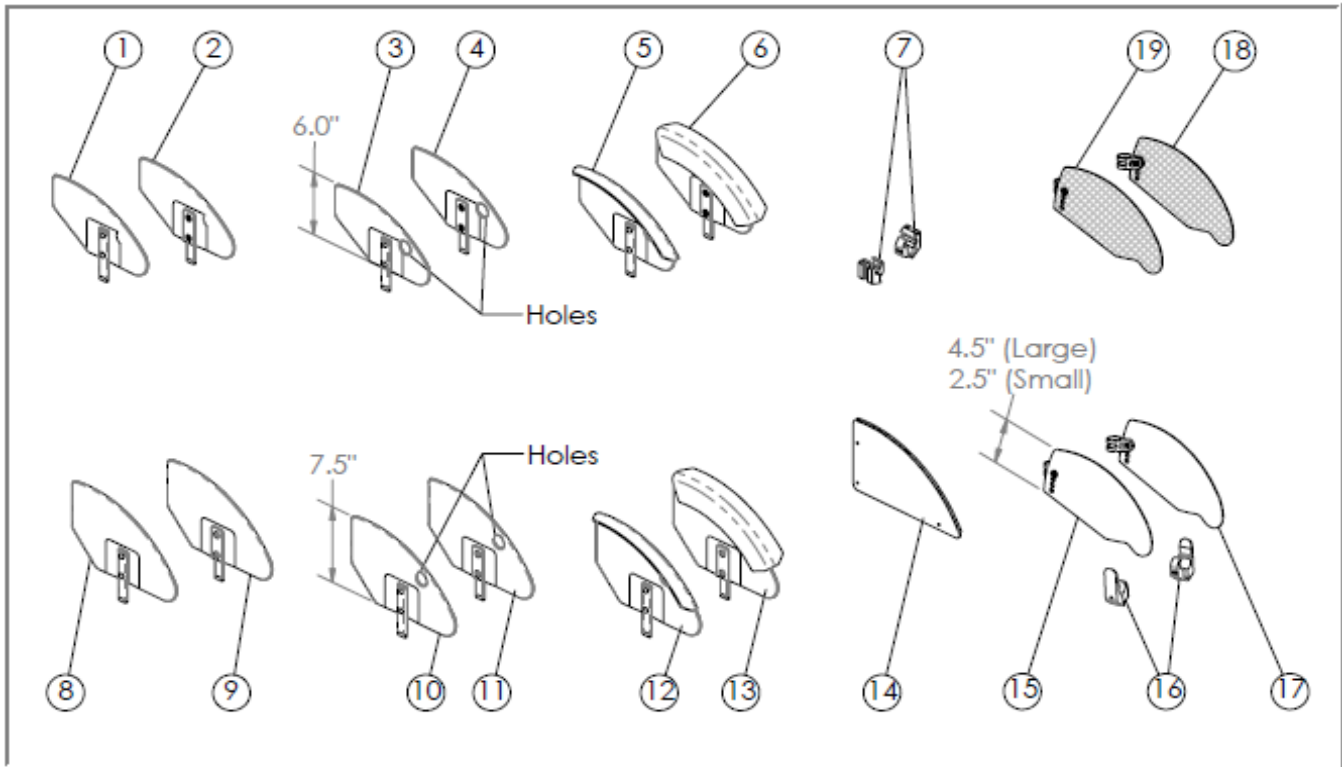
Invacare Top End Sports and Recreation Products

(800) 532-8677 (727) 522-8677 fax: (727) 522-1007

Parts Order Diagram:

**Crossfire All Terrain: Side Guards**

|          |          |           |
|----------|----------|-----------|
| Date:    | PO#:     | SO#:      |
| Bill To: | Ship To: |           |
| Quote #: | Phone:   | Serial #: |



| ITEM NO. | PART NUMBER | PER CHAIR | DESCRIPTION   | ORDER QTY |    |
|----------|-------------|-----------|---|-----------|----|
| 1        | 1036346     | 1         | Removable Side Guard Small No Hole Right  |           | EA |
| 2        | 1036347     | 1         | Removable Side Guard Small No Hole Left   |           | EA |
| 3        | 1036407     | 1         | Removable Side Guard Small w/Hole Right   |           | EA |
| 4        | 1036408     | 1         | Removable Side Guard Small w/Hole Left  |           | EA |
| 5        | 1145643     | 1         | Removable Side Guard Small w/ Fender Right  |           | EA |
| 6        | 1145644     | 1         | Removable Side Guard Small w/ Fender Left   |           | EA |
| 7        | 1036342     | 1         | Mounting Hardware Kit for Removable Side Guards   |           | EA |
| 8        | 1036344     | 1         | Removable Side Guard Large No Hole Right  |           | EA |
| 9        | 1036345     | 1         | Removable Side Guard Large No Hole Left   |           | EA |
| 10       | 1036405     | 1         | Removable Side Guard Large w/Hole Right   |           | EA |
| 11       | 1036406     | 1         | Removable Side Guard Large w/Hole Left  |           | EA |
| 12       | 1145645     | 1         | Removable Side Guard Large w/ Fender Right  |           | EA |
| 13       | 1145646     | 1         | Removable Side Guard Large w/ Fender Left   |           | EA |
| 14       | 1059414     | 2         | Fixed Side Guard, (RH & LH, Outline Required)   |           | EA |
| 15       | 1153017     | 1         | Fold-In Side Guard Panel w/ Pivot Bracket, Right <input type="checkbox"/> Large <input type="checkbox"/> Small              |           | EA |
| 16       | 1156696     | 1         | Seat Clamps for Fold-In Side Guards (1" Frame Tubing)   |           | EA |
| 17       | 1153016     | 1         | Fold-In Side Guard Panel w/ Pivot Bracket, Left <input type="checkbox"/> Large <input type="checkbox"/> Small               |           | PR |
| 18       | 1181199     | 1         | Fold-In Side Guard Panel Carbon Fiber w/ Pivot Bracket, Left <input type="checkbox"/> Large <input type="checkbox"/> Small  |           | EA |
| 19       | 1181200     | 1         | Fold-In Side Guard Panel Carbon Fiber w/ Pivot Bracket, Right <input type="checkbox"/> Large <input type="checkbox"/> Small |           | EA |
| 20       | TES1        |           |   |           | EA |



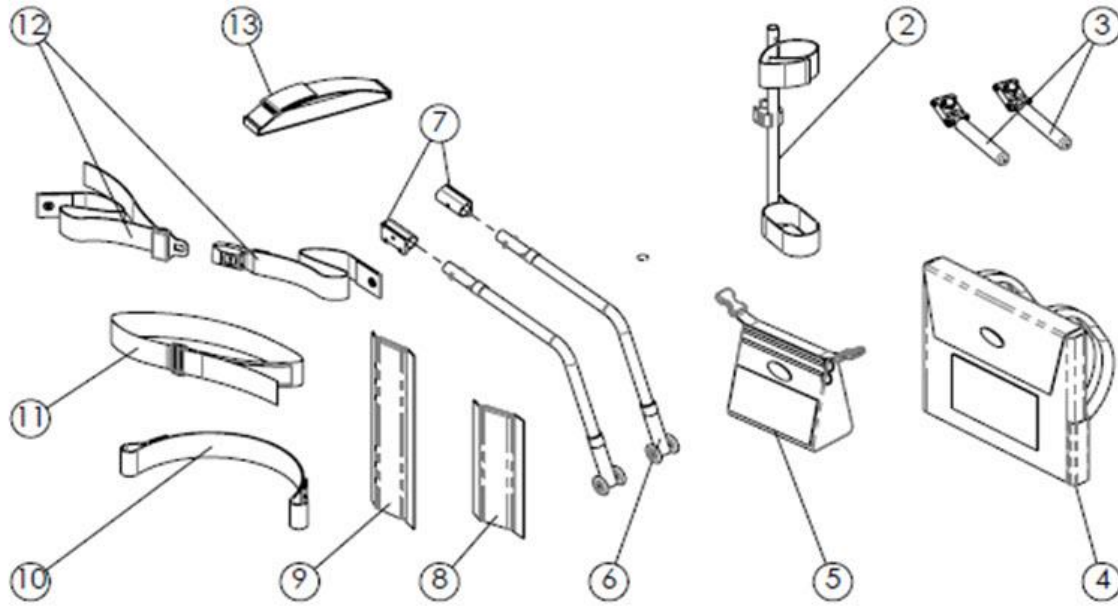
Invacare Top End Sports and Recreation Products

(800) 532-8677 (727) 522-8677 fax: (727) 522-1007

Parts Order Diagram:

**Crossfire All Terrain: Accessories**

|          |          |           |
|----------|----------|-----------|
| Date:    | PO#:     | SO#:      |
| Bill To: | Ship To: |           |
| Quote #: | Phone:   | Serial #: |



| ITEM | PART NUMBER | PER CHAIR | DESCRIPTION   | QTY |    |
|------|-------------|-----------|---|-----|----|
| 2    | 1068723     | 1         | Crutch Holder, Strap and Mtg Hardware   |     | EA |
| 3    | 1145899     | 1         | Luggage Carriers w/ 1" to 3/4" Inserts  |     | PR |
| 4    | 1109322     | 1         | Back Pack, Small (14" wide)   |     | EA |
|      | 1109323     | 1         | Back Pack, Large (16-20" wide)  |     | EA |
|      | 1109324     | 1         | Seat Pouch with Logo  |     | EA |
| 5    | TED144      | 1         | Heavy Duty Seat Pouch with Logo   |     | EA |
| 6    | 1112178     | 2         | Rear Anti-tip (each)  |     | EA |
| 7    | 1114101     | 1         | Anti-tip Hardware Kit Everyday. Swing Away arms present: <input type="checkbox"/> Yes <input type="checkbox"/> No                               |     | PR |
| 8    | 1054275     | 1         | Rear Back Bar Frame Protector (each)  |     | EA |
| 9    | 1145900     | 1         | Front Frame Vertical Protectors (pair): <input type="checkbox"/> 9" Long <input type="checkbox"/> 11"   |     | PR |
| 10   | 1054268     | 1         | Leg/Calf Strap; for Footrest Widths 8-10"(36") 10.5-13" (41") 13.5+ (46")   |     | EA |
| 11   | 1109772     | 1         | Positioning Strap, Hook/Loop Style, Seat Width: <input type="checkbox"/> 12- 14" <input type="checkbox"/> 15-18" <input type="checkbox"/> 19+   |     | EA |
| 12   | 1004310     | 1         | Positioning Strap, Auto Style Buckle, Seat Width: <input type="checkbox"/> 12- 14" <input type="checkbox"/> 15-18" <input type="checkbox"/> 19+ |     | EA |
| 13   | 1153249     | 1         | Strap, D-Ring Footrest (30")  |     | EA |
|      | TES1        |           |   |     | EA |